

Customer Information Sheet

DRAWING No.: M80-336 TO M80-337

SHEET 2 OF 2

IF IN DOUBT - ASK

©

NOT TO SCALE

THIRD ANGLE PROJECTION

ALL DIMENSIONS IN mm

SPECIFICATIONS:

MATERIALS:

BODY = COPPER ALLOY

LATCHING COLLAR = BERYLLIUM COPPER

FINISH:

BODY = GOLD

LATCHING COLLAR = NICKEL

ELECTRICAL:

CONTACT RESISTANCE = 6mΩ MAX

CURRENT RATING = SEE TABLE (CABLE DEPENDENT)

MECHANICAL:

DURABILITY = 500 OPERATIONS

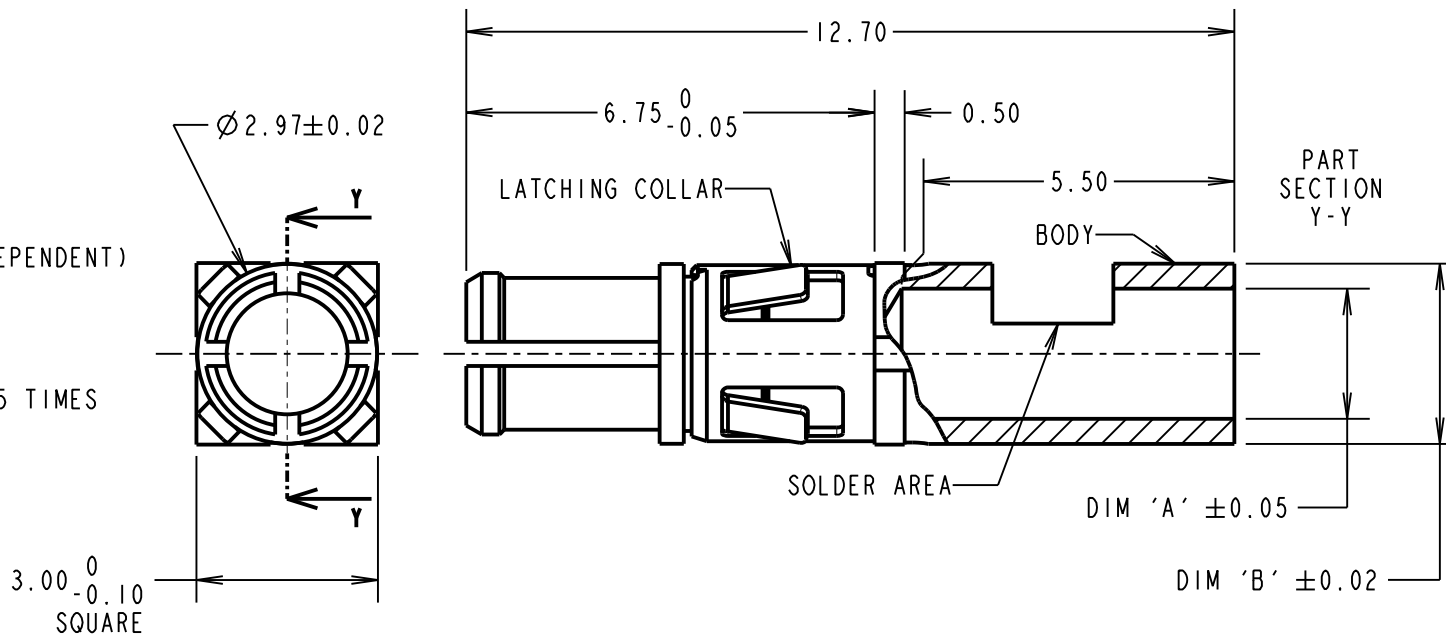
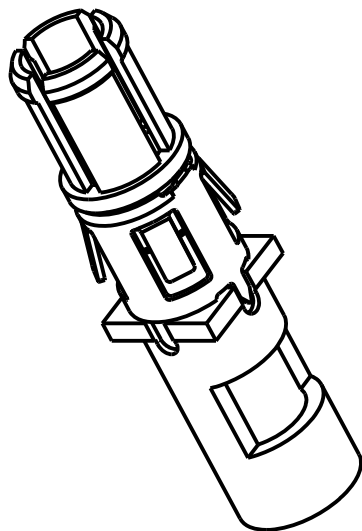
INSERTION FORCE = 8N MAX

WITHDRAWAL FORCE = 0.5N MIN

CONTACT REPLACEMENT IN INSULATOR = 5 TIMES

ENVIRONMENTAL:

TEMPERATURE RANGE = -55°C TO +125°C



NOTES:

1. CONNECTOR COMES SUPPLIED ASSEMBLED.
2. STRIP WIRE BY 5.00mm MINIMUM.
3. CONTACT EXTRACTION TOOL = Z80-290
4. FOR ALL OTHER ELECTRICAL/MECHANICAL REQUIREMENTS, SEE COMPONENT SPECIFICATION C005XX (LATEST ISSUE).

PART No.	DIM 'A'	DIM 'B'	WIRE SIZE	CURRENT RATING
M80-336	∅2.15	∅2.98	14 AWG (19/0.30 OR 19/0.34)	15A
M80-337	∅1.75	∅2.98	16 AWG (19/0.25 OR 19/0.30)	10A

MGP	6	04.01.13	11898
NAME	ISS.	DATE	C/NOTE
APPROVED: MGP			
CHECKED: SB			
DRAWN: W. J. BOURNE			
CUSTOMER REF.:			
ASSEMBLY DRG:			

HARWIN

www.harwin.com
technical@harwin.com

THIS DRAWING AND ANY INFORMATION OR DESCRIPTIVE MATTER SET OUT HEREON ARE CONFIDENTIAL AND COPYRIGHT PROPERTY OF THE HARWIN GROUP AND MUST NOT BE DISCLOSED, LOANED, COPIED OR USED FOR MANUFACTURING, TENDERING OR FOR ANY OTHER PURPOSE WITHOUT THEIR WRITTEN PERMISSION.

TOLERANCES
X. = ±1mm
X.X = ±0.25mm
X.XX = ±0.10mm
X.XXX = ±0.01mm
ANGLES = ±5°
UNLESS STATED

MATERIAL:

SEE ABOVE

FINISH: SEE ABOVE

S/AREA: mm²

TITLE: DATAMATE MIX-TEK
POWER CONTACT
MALE STRAIGHT SOLDER

DRAWING NUMBER:
M80-336 TO M80-337

SHT
2 OF 2